

Specification

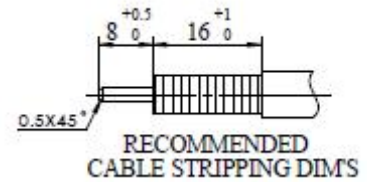
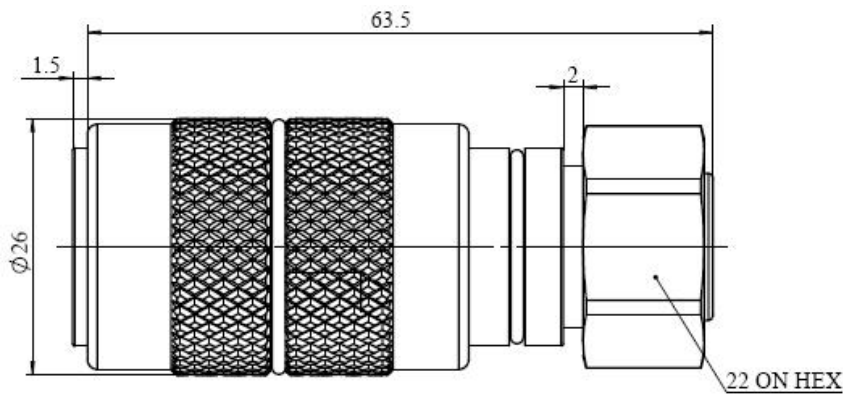
Amphenol

Changzhou Amphenol Fuyang Communication Equipment Co. Ltd.

Product Description	4.3/10 Screw Male Compression Connector for 1/2" Annular Cable	Date: 2024.3.19
Part NO.	AFDF07-1	Ver. 7

UNIT: mm

[Installation instructions](#)



Reference

IEC61169-54

Electrical

Nominal Impedance (Ω)	50
Frequency Range	DC~6GHz
VSWR	≤ 1.10 (0-3GHZ) ≤ 1.20 (3-6GHZ)
VSWR(DTF)	≤ 1.05 (0-3GHZ) ≤ 1.10 (3-6GHZ)
PIM (dBc)	≤ -160 (2*43dBm)
Insertion Loss	$\leq 0.05 \sqrt{F}$ (GHz)
Insulation Resistance(M Ω /500VDC)	≥ 5000
Proof Voltage (V/AC)	≥ 2500
Contact Resistance (m Ω)	≤ 1.0 (Inner Conductor) ≤ 1.0 (Outer Conductor)

Mechanical

Interface Durability	500 Cycles
Nut Torque	5 N.m
(Nut) Whorl Pull	500 N
Tensile Force (Cable-Connector)	500 N
Torsion (Cable-Connector)	5N.m

Weight	134.16g
--------	---------

Material and		
Connector Parts	Material	Plating
Inner Conductor	Spring Copper	Ag 5μm
Outer Conductor	Brass	Copper-tin-zinc3μm
Nut	SUS304	Chemical Polishing
Insulator	TPX	
Gasket	Silicone Rubber	

Environment	
Temperature Range	-40℃~+85℃
Weather Standard	IEC60068 40/ 085/ 21
Thermal Shock	IEC60068-2-14-Na
Vibration	IEC60068-2-6-Fc
Shock	IEC60068-2-27
Waterproofing Standard	IP68
RoHS	Compliant(EU and China)

Assembly			
Inner conductor Installed and outer conductor Compressed.			
Cable Supported	Cable Type Supported	Cable Supported	Cable Type Supported
Amphenol	AFY-50-12R	Commscope	LDF4-50A
Draka	RF1/2"-50		HL4RP-50A (Plenum)
RFS	LCF12-50J		HL4RPV-50A (Plenum)
	ICA12-50JPL/-50JPLLW (Plenum)		AL4RPV-50A (Plenum) (Apply to 0-4.2GHz)
Eupen	EC4-50	Ventev	TWS-AD12-50P-WH (Plenum)
	EUPEN-50-PL	Superior Essex	LHF-12DPV
WPS Boot	AF2040567, can be installed before and after cable jumper assembly.		
WPS Boot Guide	AFJ89-3, for WPS Boot installation after cable jumper assembly.		

NOTE: The technical specification contains proprietary information and such information may not be disclosed to others for any particular purpose or used for manufacturing purposes without written permission from Amphenol Fuyang.

VER HISTORY			
Ver.	Revised by	Revision note:	Date
6	YUYING	Add EUPEN Cable (EUPEN-50-PL)	2023.6.28
7	YUYING	Add Superior Essex Cable(TWS-AD12-50P-WH)	2024.3.19