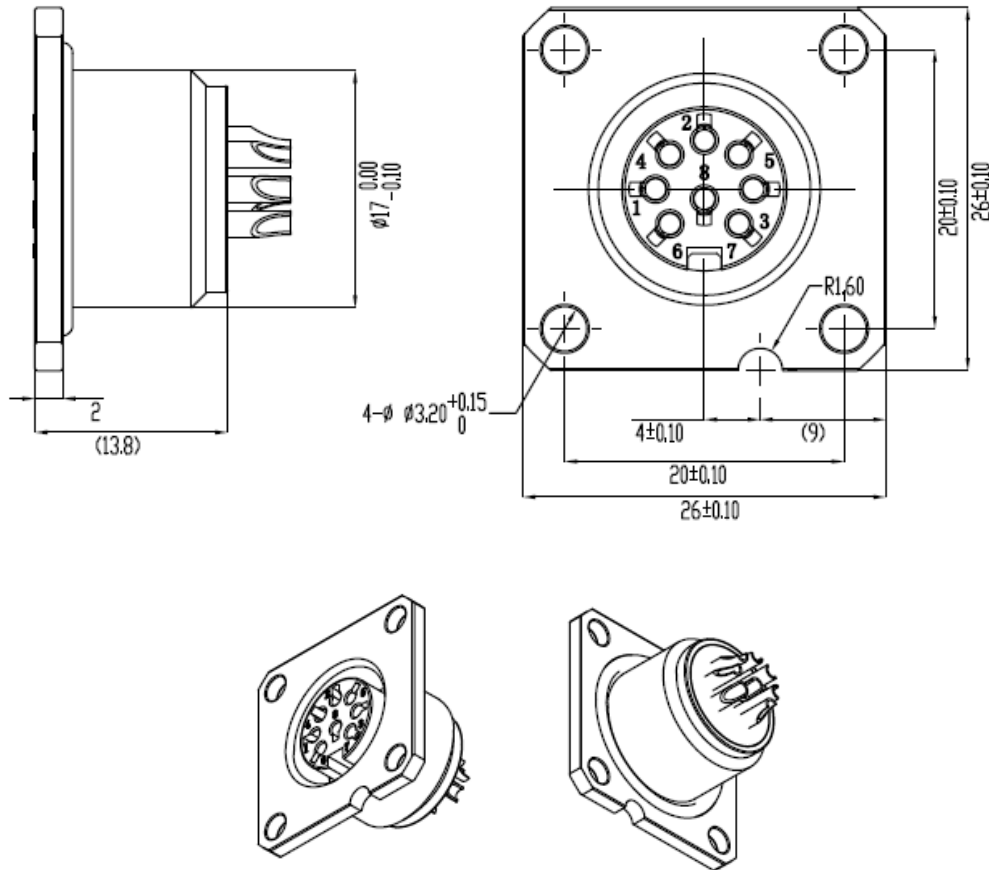


Specification

Amphenol

Changzhou Amphenol Fuyang Communication Equipment Co. Ltd.

Drawing NO.	AFS-91038	Ver. 1	Rev. 0
Part No.	AF91038	Date: 2023.10.23	
Product Description	AISGFP RECPT,8 PIN DIN		
Draft: AFY/E	Checked: AFY/Q	Approved: AFY/MR	



Electrical Performance

Rated current	5A
Contact resistance	5mΩ
Insulation resistance	1000MΩ
Voltage proof	1000V DC or AC peak @ 0.5mA 50Hz or 60Hz/ minute

Mechanical requirment		
Housing & Insert & materical	PBT (black) UL94V-0	
Contact materical	Phosphor bronze	Au over Ni
Shell	Brass	All Ni
Operating life	500 cycles	
Level of protection	IP67/ IP68	
Number of product cores	8	
Salt spray	720h	

Environmental	
Storage	-45°C - +85°C , Relative humidity ≤80%
Guarantee period	12 months
Operation	-40°C - +85°C

VER HISTORY				
Ver	Rev	Revised by	Revision note:	Date
1	0			2023.10.23