

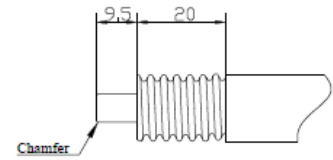
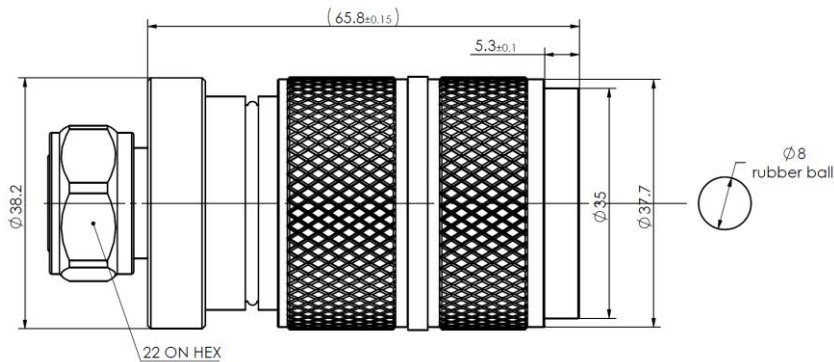
## Specification

# Amphenol

Changzhou Amphenol Fuyang Communication Equipment Co. Ltd.

Product Description	4.3/10 Male Compression Connector for 7/8 Plenum Cable	Date: 2023.7.7
Part NO.	AFDF271-1	Ver. 2

## Installation instructions



RECOMMENDED  
CABLE STRIPPING DIMS



## Reference

IEC61169-4

## Electrical

Nominal Impedance (Ω)	50
Frequency Range	DC~3.8GHz
VSWR	≤1.2
VSWR(DTF)	≤1.1
PIM (dBc)	≤-160(2*43dBm)
Insertion Loss (dB)	≤0.05 √ F(GHz)
Insulation Resistance(MΩ/500VDC)	≥5000
Proof Voltage (V/AC)	≥2500
Contact Resistance (mΩ)	<1.0 (Inner Conductor) <1.0 (outer Conductor)

Mechanical	
Interface Durability	500 Cycles
Mating Cycles	500
Tensile Force (Cable-Connector)	500 N
Torsion (Cable-Connector)	5 N.m
Weight	302g

Material and		
Connector Parts	Material	Plating
Inner Conductor	Spring Copper	Ag 3µm
Outer Conductor	Brass	Copper-tin-zinc 3µm
Insulator	PTFE	
O-Ring	Silicone Rubber	

Environment	
Temperature Range	-40°C~+85°C
Weather Standard	IEC60068 40/ 085/ 21
Thermal Shock	IEC60068-2-14-Na
Vibration	IEC60068-2-6-Fc
Shock	IEC60068-2-27
Waterproofing Standard	IP68
RoHS	Compliant(EU and China)

Assembly	
Cable Supported	Commscope: HJ5RPV-50
	RFS: HCA 78-50JPLW

NOTE: The technical specification contains proprietary information and such information may not be disclosed to others for any particular purpose or used for manufacturing purposes without written permission from Amphenol Fuyang.

VER HISTORY			
Ver.	Revised by	Revision note:	Date
1	YUYING		2022.3.11
2	LIWENYAN	ADD colour ring	2023.7.7