

## Specification

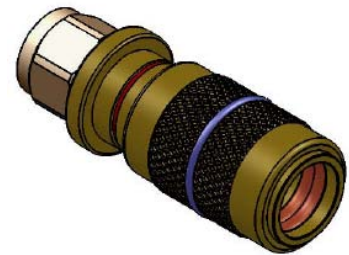
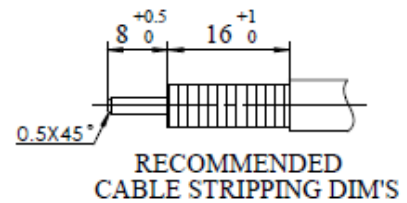
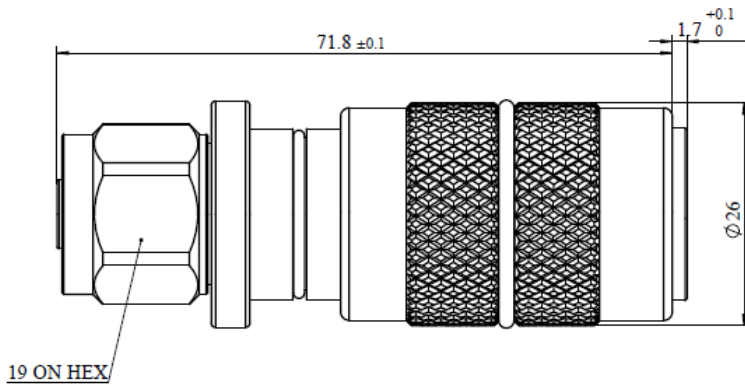
# Amphenol

Changzhou Amphenol Fuyang Communication Equipment Co. Ltd.

Product Description	N Male Compression Connector for 1/2" Normal Cable	Date: 2020.07.21
Part NO.	AFA297-1	Ver. 3

UNIT: mm

### Installation instructions



## Reference Standard

**IEC61169-16**

## Electrical Performance

Nominal Impedance (Ω)	50
Frequency Range	DC~3GHz
VSWR	≤1.10(0-3GHz)
	≤1.25(3-6GHz)
PIM (dBc)	≤-160(2*43dBm)
Insertion Loss	≤0.05√F(GHz)
Insulation Resistance(MΩ/500VDC)	≥5000
Proof Voltage (V/AC)	≥2500
Contact Resistance (mΩ)	≤0.8 (Inner Conductor) ≤0.4 (Outer Conductor)

### Mechanical Performance

Interface Durability	500 Cycles
Nut Torque	3N.m
(Nut) Whorl Pull	500 N
Tensile Force (Cable-Connector)	500 N
Torsion (Cable-Connector)	3.5 N.m

### Material and Plating

Connector Parts	Material	Plating
Inner Conductor	Beryllium Bronze	Ag 3μm
Outer Conductor	Brass	Copper-tin-zinc 3μm
Nut	Brass	Ni 3μm
Insulator	TPX	
Gasket	Silicone Rubber	

### Environment

Temperature Range	-40°C~+85°C
Weather Standard	IEC60068 40/ 085/ 21
Thermal Shock	IEC60068-2-14-Na
Vibration	IEC60068-2-6-Fc
Shock	IEC60068-2-27
Waterproofing Standard	IP67
ROHS	Compliant(EU and China)

### Assembly

Inner conductor Installed and outer conductor Compressed.

Cable Supported	Cable Type Supported	Cable Supported	Cable Type Supported
Amphenol	AFY-50-12R	Andrew	LDF4-50A
Draka	RF1/2"-50	ANDREW	HL4RPV-50A (Plenum)
Eupen	EC4-50	RFS	ICA12-50JPLW (Plenum)
RFS	LCF12-50J		

NOTE: The technical specification contains proprietary information and such information may not be disclosed to others for any particular purpose or used for manufacturing purposes without written permission from Amphenol Fuyang.