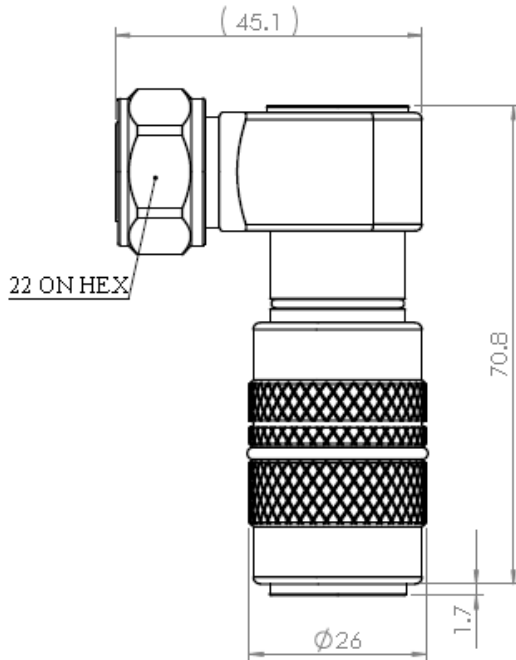


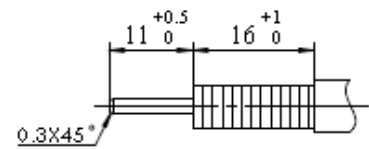
## Specification

Product Description	4.3/10 Screw Male Right Angle Compression Connector for 1/2" Trilogy air plenum Cable (AP6012J50, APC012J50)	Date: 2020.3.18
Part NO.	AFDF125-2	Ver. 1

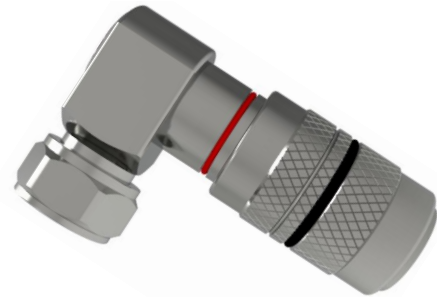
UNIT: mm



## Installation instructions



RECOMMENDED  
CABLE STRIPPING DIM'S



## Reference Standard

IEC61169-54

## Electrical Performance

Nominal Impedance (Ω)	50
Frequency Range	DC~5GHz
VSWR	≤1.15(0-3GHZ) ≤1.35(3-5GHZ)
PIM (dBc)	≤-160(2*43dBm)
Insertion Loss	≤0.1 √ F(GHz)
Insulation Resistance(MΩ/500VDC)	≥5000
Proof Voltage (V/AC)	≥2500
Contact Resistance (mΩ)	≤1.0 (Inner Conductor) ≤1.0 (outer Conductor)

## Mechanical Performance

Interface Durability	500 Cycles
Nut Torque	5 N.m
(Nut) Whorl Pull	500 N
Tensile Force (Cable-Connector)	500 N
Torsion (Cable-Connector)	5N.m
Weight	23010.63g

## Material and Plating

Connector Parts	Material	Plating
Inner Conductor	Brass /Spring Copper	Ag 5μm
Outer Conductor	Brass	Copper-tin-zinc2μm
Nut	Brass	Copper-tin-zinc2μm
Insulator	PTFE/TPX	
O-Ring	Silicone Rubber	

## Environment

Temperature Range	-40℃~+85℃
Weather Standard	IEC60068 40/ 085/ 21
Thermal Shock	IEC60068-2-14-Na
Vibration	IEC60068-2-6-Fc
Shock	IEC60068-2-27
Waterproofing Standard	IP68
RoHS	Compliant(EU and China)

NOTE: The technical specification contains proprietary information and such information may not be disclosed to others for any particular purpose or used for manufacturing purposes without written permission from Amphenol Fuyang.

## VER HISTORY

Ver	Revised by	Revision note:	Date
1	libo		2020.3.18