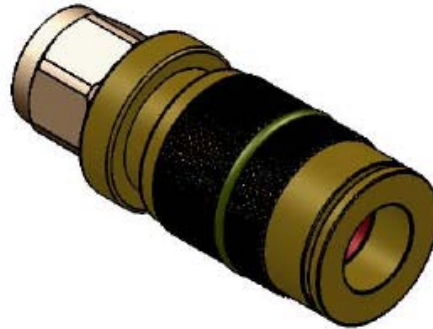


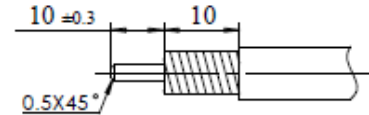
Specification

Product Description	N Male Compression Connector for 1/2" Superflexible Cable	Date: 2020.07.20
Part NO.	AFA289-1	Ver. 1

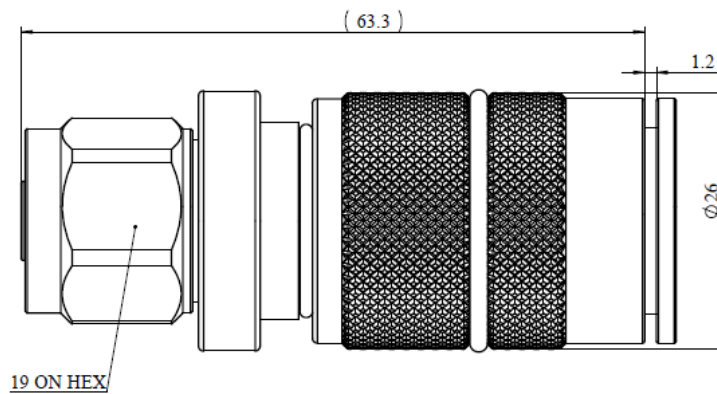
UNIT: mm



Installation instructions



RECOMMENDED
CABLE STRIPPING DIM'S



Reference Standard

IEC61169-16

Electrical Performance

Nominal Impedance (Ω)	50
Frequency Range	DC~6GHz
VSWR	≤1.10(0-3GHZ) ≤1.25(3-6GHZ)
PIM (dBc)	≤-160(2*43dBm)
Insertion Loss	≤0.05√F(GHz)
Insulation Resistance(MΩ/500VDC)	≥5000
Proof Voltage (V/AC)	≥2500
Contact Resistance (mΩ)	<0.8 (Inner Conductor) <0.4 (outer Conductor)

Mechanical Performance

Interface Durability	500 Cycles
Nut Torque	3 N.m
(Nut) Whorl Pull	500 N
Tensile Force (Cable-Connector)	400 N
Torsion (Cable-Connector)	4 N.m
Weight	153.43g

Material and Plating

Connector Parts	Material	Plating
Inner Conductor	Spring Copper	Ag 3μm
Outer Conductor	Brass	Copper-tin-zinc 3μm
Nut	Brass	Ni3μm
Insulator	TPX	
Gasket	Silicone Rubber	

Environment

Temperature Range	-40°C~ +85°C
Weather Standard	IEC60068 40/ 085/ 21
Thermal Shock	IEC60068-2-14-Na
Vibration	IEC60068-2-6-Fc
Shock	IEC60068-2-27
Waterproofing Standard	IP67
RoHS	Compliant(EU and China)

Assembly

Inner conductor Installed and outer conductor Compressed.

Cable Supported	Cable Type Supported
Amphenol	AFY-50-12S
Andrew	FSJ4-50B
Draka	RFF1/2"-50
Eupen	EC4-50-HF
RFS	SCF12-50

NOTE: The technical specification contains proprietary information and such information may not be disclosed to others for any particular purpose or used for manufacturing purposes without written permission from Amphenol Fuyang.