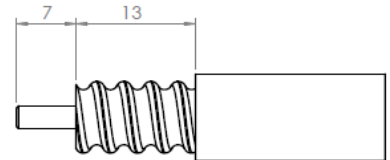


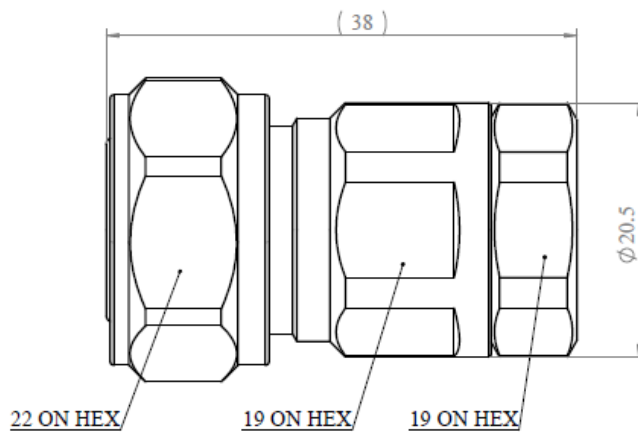
Specification

| | | |
|---------------------|--|-----------------|
| Product Description | 4.3/10 Male Connector for 1/2" Superflexible Cable | Date: 2020-6-22 |
| Part NO. | AFDF59-3 | Ver. 0 |

UNIT: mm



RECOMMENDED
CABLE STRIPPING DIM'S



Reference Standard

IEC60169-54

Electrical Performance

| | |
|--|---|
| Nominal Impedance (Ω) | 50 |
| Frequency Range | DC~3.8GHz |
| VSWR | ≤ 1.10 |
| PIM (dBc) | $\leq -162(2*43dBm)$ |
| Connector Insertion Loss (dB) | ≤ 0.05 |
| Insulation Resistance (M Ω /500VDC) | ≥ 5000 |
| Proof Voltage (V/AC) | ≥ 2500 |
| Contact Resistance (m Ω) | < 1.0 (Inner Conductor) < 1.0 (Outer Conductor) |

Mechanical Performance

| | |
|---------------------------------|--------|
| Tensile Force (Cable-Connector) | 500 N |
| Torsion (Cable-Connector) | 4N.m |
| Weight | 62.01g |

Material and Plating

| Connector Parts | Material | Plating |
|-----------------|-----------------|---------------------|
| Inner Conductor | Spring Copper | Ag3μm |
| Outer Conductor | Brass | Copper-tin-zinc 3μm |
| NUT | Brass | Copper-tin-zinc 3μm |
| Insulator | TPX | |
| O-Ring | Silicone Rubber | |

Environment

| | |
|-----------------------------|-------------------------|
| Storage Temperature Range | -40°C ~+85°C |
| Operating Temperature Range | -40°C ~+85°C |
| Weather Standard | IEC60068 40/ 085/ 21 |
| Thermal Shock | IEC60068-2-14-Na |
| Vibration | IEC60068-2-6-Fc |
| Shock | IEC60068-2-27 |
| Waterproofing Standard | IP68 |
| RoHS | Compliant(EU and China) |

NOTE: The technical specification contains proprietary information and such information may not be disclosed to others for any particular purpose or used for manufacturing purposes without written permission from Amphenol Fuyang.