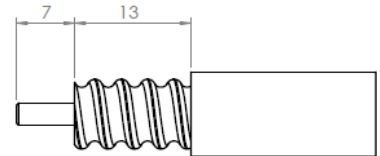
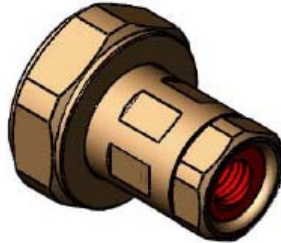


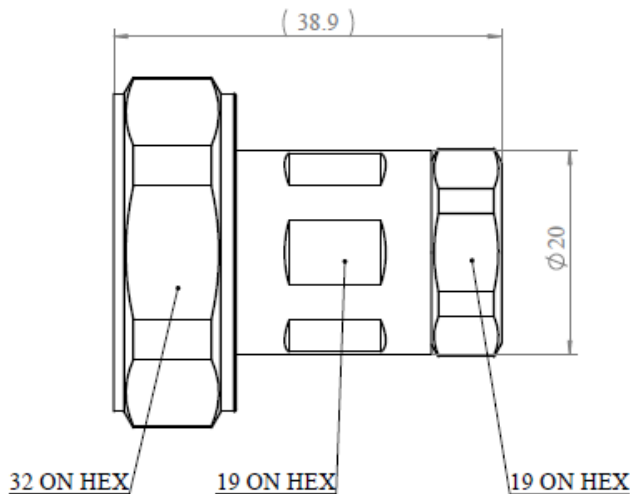
Specification

Product Description	7/16 Male Connector for 1/2" Superflexible Cable	Date: 2020-6-22
Part NO.	AFB03-15	Ver. 0

UNIT: mm



RECOMMENDED
CABLE STRIPPING DIM'S



Reference Standard

IEC60169-4

Electrical Performance

Nominal Impedance (Ω)	50
Frequency Range	DC~3.8GHz
VSWR	≤ 1.10
PIM (dBc)	$\leq -160(2*43dBm)$
Connector Insertion Loss (dB)	≤ 0.05
Insulation Resistance(M Ω /500VDC)	≥ 10000
Proof Voltage (V/AC)	≥ 3000
Contact Resistance (m Ω)	< 0.2 (Inner Conductor) < 0.8 (Outer Conductor)

Mechanical Performance

Nut Torque	25N.m
(Nut) Whorl Pull	1000N
Tensile Force (Cable-Connector)	500 N
Torsion (Cable-Connector)	4N.m
Weight	78.94g

Material and Plating

Connector Parts	Material	Plating
Inner Conductor	Spring Copper	Ag3μm
Outer Conductor	Brass	Copper-tin-zinc 3μm
NUT	Brass	Copper-tin-zinc 3μm
Insulator	TPX	
O-Ring	Silicone Rubber	

Environment

Storage Temperature Range	-40°C ~ +85°C
Operating Temperature Range	-40°C ~ +85°C
Weather Standard	IEC60068 40/ 085/ 21
Thermal Shock	IEC60068-2-14-Na
Vibration	IEC60068-2-6-Fc
Shock	IEC60068-2-27
Waterproofing Standard	IP68
RoHS	Compliant(EU and China)

NOTE: The technical specification contains proprietary information and such information may not be disclosed to others for any particular purpose or used for manufacturing purposes without written permission from Amphenol Fuyang.