

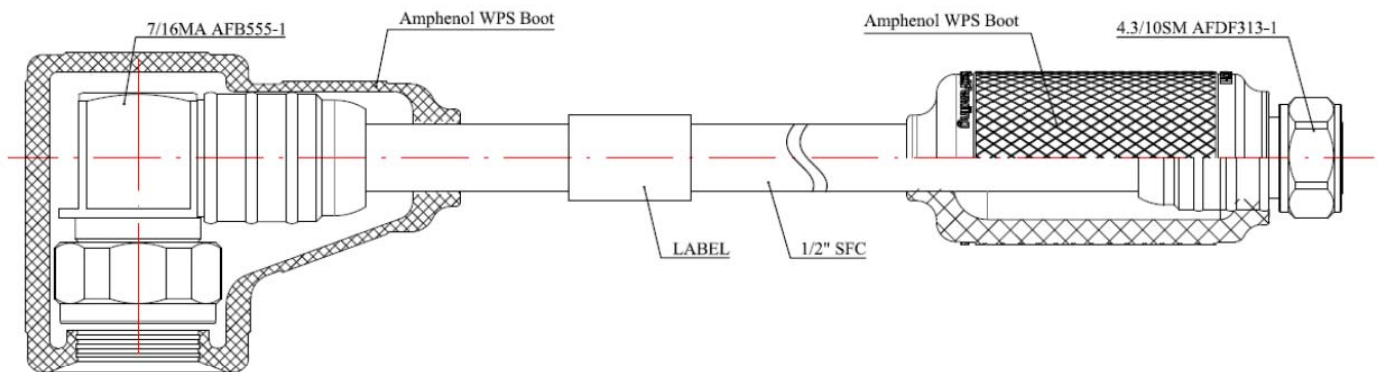
Specification

Amphenol

Changzhou Amphenol Fuyang Communication Equipment Co. Ltd.

Drawing NO.	AFS-K703-7-B	Ver.0	Rev. 0
Part NO.	AFK703-7-xxM-B	"xx" means the length in meter	
Product Description	Laser welding jumper, 7/16MA-4.3/10SM, 1/2" Superflexible Cable	Date: 2019.10.25	
Draft: Pan Guilian AFY/E	Checked: Yu Ying AFY/Q	Approved: Xu Yiming AFY/MR	

Part NO.	Length (m)	Attenuation (dB)	Part NO.	Length (m)	Attenuation (dB)
AFK703-7-6M-B	6	900/1800/2600MHz: ≤0.74/1.03/1.37	AFK703-7-10M-B	10	900/1800/2600MHz: ≤1.16/1.65/2.20
AFK703-7-15M-B	15	900/1800/2600MHz: ≤1.79/2.53/3.20	AFK703-7-20M-B	20	900/1800/2600MHz: ≤2.32/3.30/4.20



Reference Standard

IEC61169-4(7/16) IEC61169-54(4.3/10)

Electrical Performance

Nominal Impedance (Ω)	50
Frequency Range (GHz)	DC~8.8
VSWR (dB)	≤1.08(DC-2GHz) ≤1.15(2-3GHz)
Dynamic PIM with IEC 62037 (2*43dBm) (dBc)	≤-165
Connector Insertion Loss (dB)	≤0.05(3GHz)
Insulation Resistance (MΩ)	≥5000
Proof Voltage (V)	1000
Screen Efficiency (dB)	≥110
Max. power range(kW)	≥20.5
Power Rating (W)	400W@3GHz

Amphenol Fuyang

Tel: +86-519-86520303

Fax: +86-519-86521000

www.amphenol-fuyang.com

No.6 Fengqi Road, Hi-Tech, District, Wujin, Changzhou, Jiangsu, PRC 213164

Mechanical Performance

Nut Torque	25 N*m(7/16) 5 N*m(4.3/10)
Single Minimum Bending Radius	≥25mm
Multiple Minimum Bending Radius	≥35mm
Number of Bends, Minimum	15
Cable Length	L(m)
weight (kg/m)	≤0.22

Material and Plating

Connector Parts		Material	Plating (Standard)
Connector A 7/16	Inner Conductor	Brass	Ag 5μm
	Outer Conductor	Brass	Copper-tin-zinc 2μm
Connector B 4.3/10	Inner Conductor	Bronze	Ag 5μm
	Outer Conductor	Brass	Copper-tin-zinc 2μm
Cable	Inner Conductor	Copper Plated Aluminum	
	Insulation	PE	
	Outer Conductor	Helical Corrugated copper tube	
	Jacket	PE, Contains No Halogen	
Waterproof Boot		Silicone rubber	
Adopt over-Molding			

Environment

UV Resistance	IE-68-2-5
Waterproofing Standard	IP68
Operating Temperature	-40℃~+85℃
Storage Temperature	-40℃~+85℃
Weather Standard	IEC 68 40/ 85/ 21
Thermal Shock	IEC60068-2-14-Na
Vibration	IEC60068-2-6-Fc
Shock	IEC60068-2-27
RoHS	Compliant

Testing & Traceability

100% tested and guaranteed as per manufacturer specification. Traceability of VSWR & PIM test data through serial number on the label