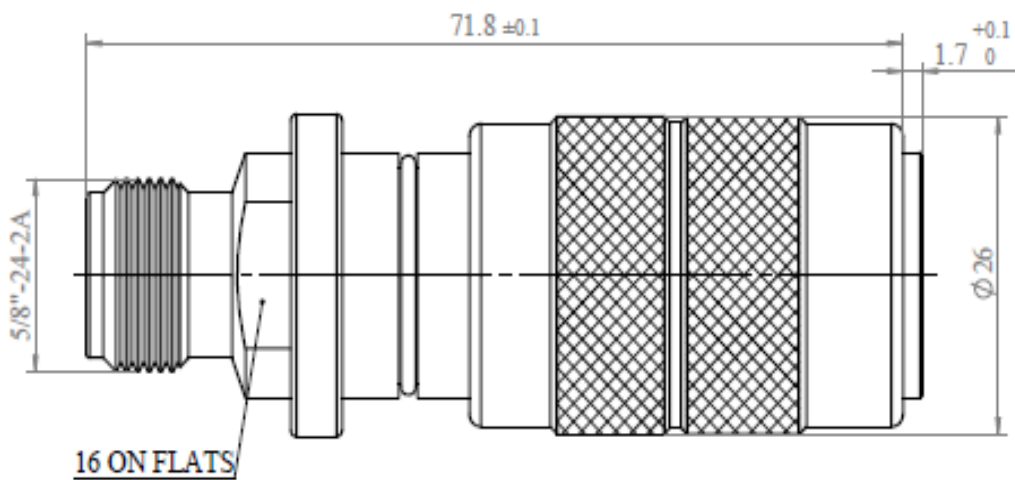
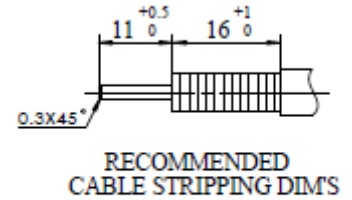


Specification

Product Description	N Female Compression Connector for 1/2" Trilogy Plenum Cable	Date: 2018.10.12
Part NO.	AFA490-2	Ver. 1

UNIT: mm



Reference Standard

IEC61169-16

Electrical Performance

Nominal Impedance (Ω)	50
Frequency Range	DC~5GHz
VSWR	≤1.10(0-3GHZ) ≤1.25(3-5GHZ)
VSWR(DTF)	≤1.06(0-3GHZ) ≤1.12(3-5GHZ)
PIM (dBc)	≤-160(2*43dBm)
Insertion Loss	≤0.05√F(GHZ)
Insulation Resistance(MΩ/500VDC)	≥5000
Proof Voltage (V/AC)	≥2500
Contact Resistance (mΩ)	<0.8 (Inner Conductor) <0.4 (Outer Conductor)

Mechanical Performance

Interface Durability	500 Cycles
Retention	≥0.56N
Mating Cycles	500
Tensile Force (Cable-Connector)	500 N
Torsion (Cable-Connector)	5 N.m
Weight	143.81g

Material and Plating

Connector Parts	Material	Plating
Inner Conductor	Beryllium Bronze	Ag 5μm
Outer Conductor	Brass	Copper-tin-zinc 2μm
Insulator	TPX	
Gasket	Silicone Rubber	

Environment

Temperature Range	-40°C~+85°C
Weather Standard	IEC60068 40/ 085/ 21
Thermal Shock	IEC60068-2-14-Na
Vibration	IEC60068-2-6-Fc
Shock	IEC60068-2-27
Waterproofing Standard	IP67
RoHS	Compliant(EU and China)

Assembly

Inner conductor Installed and outer conductor Compressed.

Cable Supported	Cable Type Supported
Trilogy	AP6012J50 (Plenum) APC012J50(Plenum)

NOTE: The technical specification contains proprietary information and such information may not be disclosed to others for any particular purpose or used for manufacturing purposes without written permission from Amphenol Fuyang.