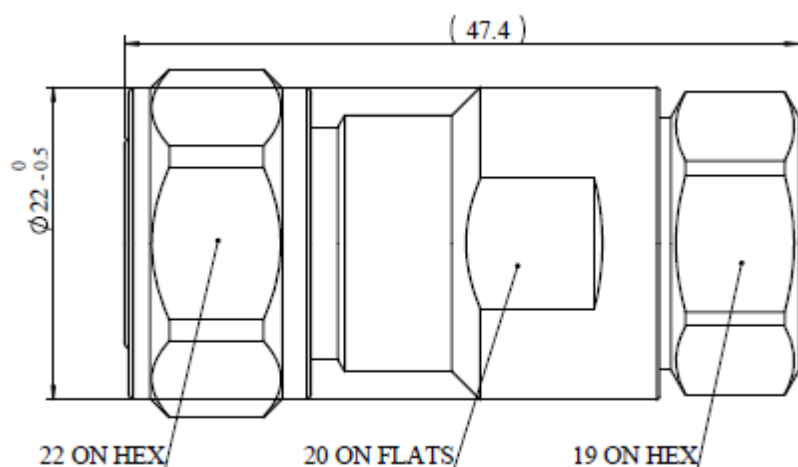
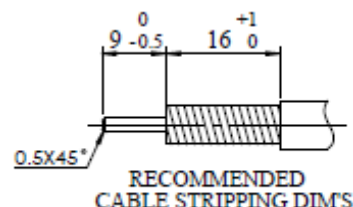


Specification

Product Description	4.3/10 Screw Male Connector for 1/2" Superflexible Cable	Date: 2019-4-1
Part NO.	AFDF59-2	Ver. 1

UNIT: mm



Reference Standard	IEC61169-54
Electrical Performance	
Nominal Impedance (Ω)	50
Frequency Range	DC~6GHZ
VSWR	$\leq 1.1(0-3\text{GHZ})$ $\leq 1.2(3-6\text{GHZ})$
VSWR(DTF)	$\leq 1.06(0-3\text{GHZ})$ $\leq 1.12(3-6\text{GHZ})$
PIM (dBc)	$\leq -160(2*43\text{dBm})$
Insertion Loss	$\leq 0.05\sqrt{F}(\text{GHZ})$
Insulation Resistance(M Ω /500VDC)	≥ 5000
Proof Voltage (V/AC)	≥ 2500
Contact Resistance (m Ω)	< 1.0 (Inner Conductor) < 0.1 (Outer Conductor)

Mechanical Performance

Interface Durability	500 Cycles
Nut Torque	5N.m
(Nut)Whorl Pull	500N
Tensile Force (Cable-Connector)	400 N
Torsion (Cable-Connector)	4 N.m
Weight	79.44g

Material and Plating

Connector Parts	Material	Plating
Inner Conductor	Spring Copper	Ag 5μm
Outer Conductor	Brass	Copper-tin-zinc 2μm
Nut	Brass	Ni 5μm
Insulator	TPX	

Environment

Temperature Range	-40°C~ +85°C
Weather Standard	IEC60068 40/ 085/ 21
Thermal Shock	IEC60068-2-14-Na
Vibration	IEC60068-2-6-Fc
Shock	IEC60068-2-27
Waterproofing Standard	IP68
RoHS	Compliant(EU and China)

Assembly

Inner and outer conductor Installing type.	
Cable Supported	Cable Type Supported
Andrew	FSJ4-50, FSJ4RK-50
RFS	SCF12-50
NK Draka	RFF1/2"-50
Amphenol	AFY-50-12S
Eupen	EC4-50-HF

NOTE: The technical specification contains proprietary information and such information may not be disclosed to others for any particular purpose or used for manufacturing purposes without written permission from Amphenol Fuyang.