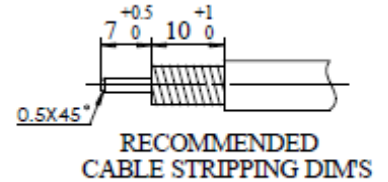
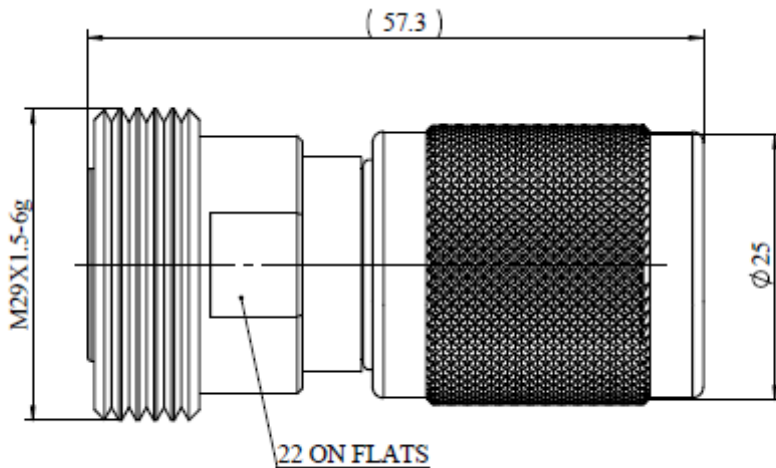


**Specification**

Product Description	7/16 Female Compression Connector for 1/2" Superflexible Cable	Date: 2019-1-31
Part NO.	AFB732-1	Ver. 1

UNIT: mm



**Reference Standard**

**IEC61169-4**

**Electrical Performance**

Nominal Impedance (Ω)	50
Frequency Range	DC~6GHz
VSWR	≤1.10(0-3GHZ) ≤1.20(3-6GHZ)
VSWR(DTF)	≤1.05(0-3GHZ) ≤1.10(3-6GHZ)
PIM (dBc)	≤-160(2*43dBm)
Insertion Loss	≤0.05√F(GHZ)
Insulation Resistance(MΩ/500VDC)	≥10000
Proof Voltage (V/AC)	≥3000
Contact Resistance (mΩ)	<0.8 (Inner Conductor) <0.4 (Outer Conductor)

## Mechanical Performance

Interface Durability	500 Cycles
Retention	≥5.88N
Mating Cycles	500
Tensile Force (Cable-Connector)	400 N
Torsion (Cable-Connector)	4 N.m
Weight	151.18g

## Material and Plating

Connector Parts	Material	Plating
Inner Conductor	Spring Copper	Ag 5μm
Outer Conductor	Brass	Copper-tin-zinc 2μm
Insulator	TPX	
Gasket	Silicone Rubber	

## Environment

Temperature Range	-40°C~+85°C
Weather Standard	IEC60068 40/ 085/ 21
Thermal Shock	IEC60068-2-14-Na
Vibration	IEC60068-2-6-Fc
Shock	IEC60068-2-27
Waterproofing Standard	IP68
RoHS	Compliant(EU and China)

## Assembly

Inner conductor Installed and outer conductor Compressed.

Cable Supported	Cable Type Supported
Amphenol	AFY-50-12S
Andrew	FSJ4-50B
Draka	RFF1/2"-50
Eupen	EC4-50-HF
RFS	SCF12-50

NOTE: The technical specification contains proprietary information and such information may not be disclosed to others for any particular purpose or used for manufacturing purposes without written permission from Amphenol Fuyang.