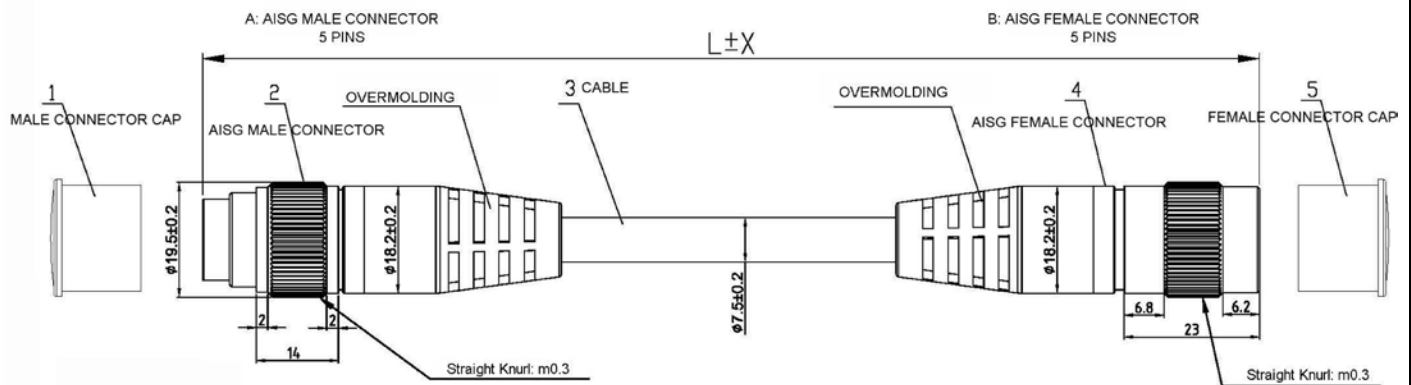


Specification

Drawing NO.	AFS-AISG3 Series	Ver. 1	Rev. 2
Part NO.	AISG3 Series		
Product Description	AISG RET Cable		Date: 2019.04.23
Draft: qianbo AFY/E	Checked: wangying AFY/Q	Approved: xuyiming AFY/MR	

Part NO.	Length (m)	Part NO.	Length (m)	Part NO.	Length (m)
AF9366	0.5	AF9419	30	AF9470	6.1
AF9367	1	AF9374	40	AF9471	7
AF9368	2	AF9375	50	AF9472	15
AF9369	3	AF9376	60	AF9473	30
AF9417	4	AF9377	80	AF9474	70
AF9370	5	AF9420	90	AF9475	90
AF9371	10	AF9378	100		
AF9418	15	AF9467	3.5		
AF9372	20	AF9468	4		
AF9373	25	AF9469	6		

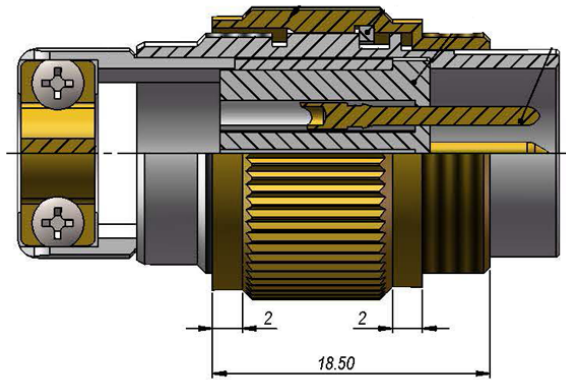
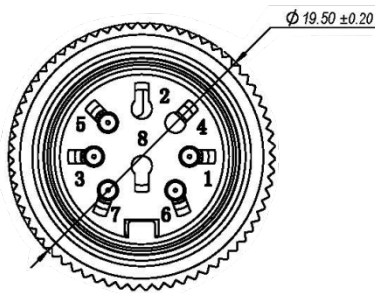


$L > 3000\text{mm}$ ,  $X=100$ ;  $L \leq 3000\text{mm}$ ,  $X=50$ .

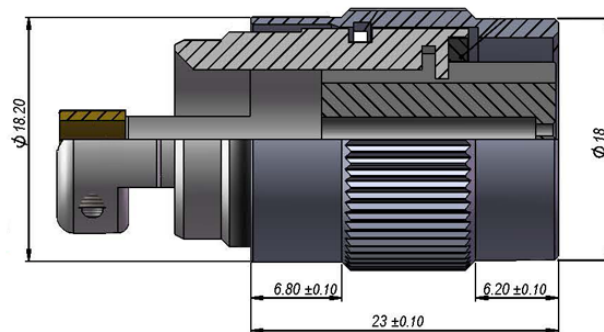
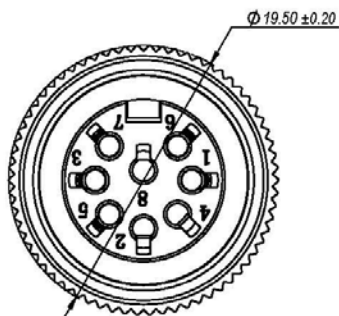
Pin Assy Configuration

IF	COLOR	IM	WIRE GAGUE
1	RED	1	19AWG
2	N/C	N/C	N/C
3	BROWN	3	24AWG
4	N/C	N/C	N/C
5	WHITE	5	24AWG

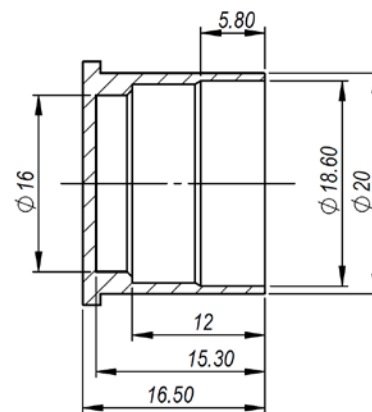
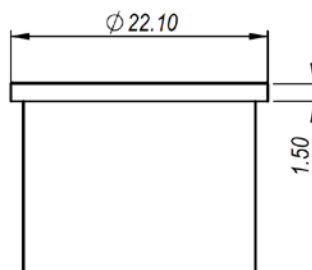
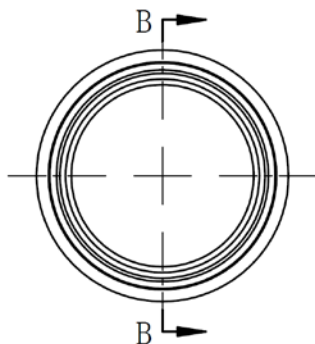
A: AISG Male Connector



B: AISG Female Connector



Connector Cap  
(For both male & female)



Reference Standard

IEC601309(AISG)

Electrical Performance

Rated Voltage (V)	300V
Rated Impulse Withstand Voltage (V)	500V
Test Voltage (V)	670V
Insulation Resistance ( $\Omega$ )	1000 M $\Omega$ (MIN)
Current Rating (A)	5A/40°C
Voltage Proof (V)	1200V rms
Contact Resistance ( $\Omega$ )	5M $\Omega$ (MAX)
Characteristic Impedance( $\Omega$ )	100±20

## Mechanical Performance

Coupling	Threaded
Mechanical Operating	500 cycles
Mating Torque	0.5~1 Nm (Tightened by hand or tool)

## Material and Plating

Connector Parts	Material	Plating
Body	Brass	Nickel
Contact	Phosphor Bronze	Gold
Insulator	PBT	
Cap	PE	
Over-molding	PVC	Black
Cable	UL2464 1P*24AWG+3C*19AWG	
Protocol	AISG2.0	

## Environment

Waterproofing Standard	IP67/ IP68
Temperature Range	-40°C~+85°C
Storage Temperature	-45°C~+85°C
Relative Humidity	≤80%
Guarantee Period	12 month
RoHS & WEEE	Compliant

## Package

<b>Package P/N: 521232</b>		<b>Package Size: 385*335*275</b>	
Part NO.	Length (m)	Quantity (pcs/ Each Package)	
9366	0.5	100	
9369	3	30	
9370	5	20	
9371	10	15	
<b>Remark: Every AISG Cable must be individually packaged with plastic bag.</b>			

## Notes

The technical specification contains proprietary information and such information may not be disclosed to others for any particular purpose or used for manufacturing purposes without written permission from Amphenol Fuyang.