

Specification

Amphenol

Changzhou Amphenol Fuyang Communication Equipment Co. Ltd.

Product Description

4.3/10 Screw Male Connector for 7/8" Cable

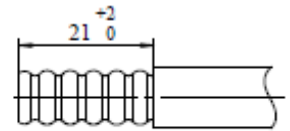
Date: 2019-4-19

Part NO.

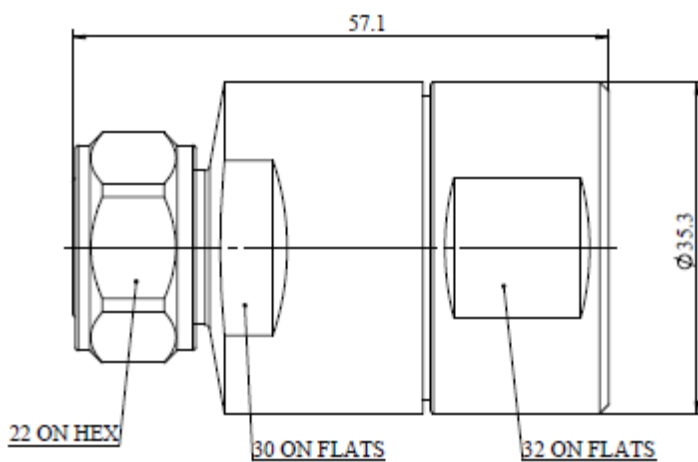
AFDF105-1

Ver. 1

UNIT: mm



RECOMMENDED
CABLE STRIPPING DIM'S



Reference Standard

IEC60169-54

Electrical Performance

Nominal Impedance (Ω)	50
Frequency Range	DC~6GHz
VSWR	≤ 1.10 (0-3GHZ) ≤ 1.20 (3-6GHZ)
VSWR(DTF)	≤ 1.05 (0-3GHZ) ≤ 1.10 (3-6GHZ)
PIM (dBc)	≤ -160 (2*43dBm)
Insertion Loss	$\leq 0.05\sqrt{F}$ (GHz)
Insulation Resistance(M Ω /500VDC)	≥ 5000
Proof Voltage (V/AC)	≥ 2500
Contact Resistance (m Ω)	<1.0 (Inner Conductor) <0.1 (Outer Conductor)

Mechanical Performance

Interface Durability	500 Cycles
Nut Torque	5N.m
(Nut) Whorl Pull	500N
Tensile Force (Cable-Connector)	500 N
Torsion (Cable-Connector)	5N.m
Weight	174.02g

Material and Plating

Connector Parts	Material	Plating
Inner Conductor	Brass	Ag5μm
Outer Conductor	Brass	Copper-tin-zinc 2μm
Nut	Brass	Ni 5μm
Insulator	TPX	
O-Ring	Silicone Rubber	

Environment

Temperature Range	-40°C~ +85°C
Weather Standard	IEC60068 40/ 085/ 21
Thermal Shock	IEC60068-2-14-Na
Vibration	IEC60068-2-6-Fc
Shock	IEC60068-2-27
Waterproofing Standard	IP68
RoHS	Compliant(EU and China)

Assembly

Inner and outer conductor Installing type.

Cable Supported	Cable Type Supported
Andrew	AVA5-50,AVA5RK-50,AL5-50,LDF5-50
RFS	LCF78-50JA,UCF78-50A
Eupen	EC5-50A, EC5-50HF
Amphenol	AFY-50-78RLL
Draka	RF7/8"-50
Eupen	EC5-50A

NOTE: The technical specification contains proprietary information and such information may not be disclosed to others for any particular purpose or used for manufacturing purposes without written permission from Amphenol Fuyang.