

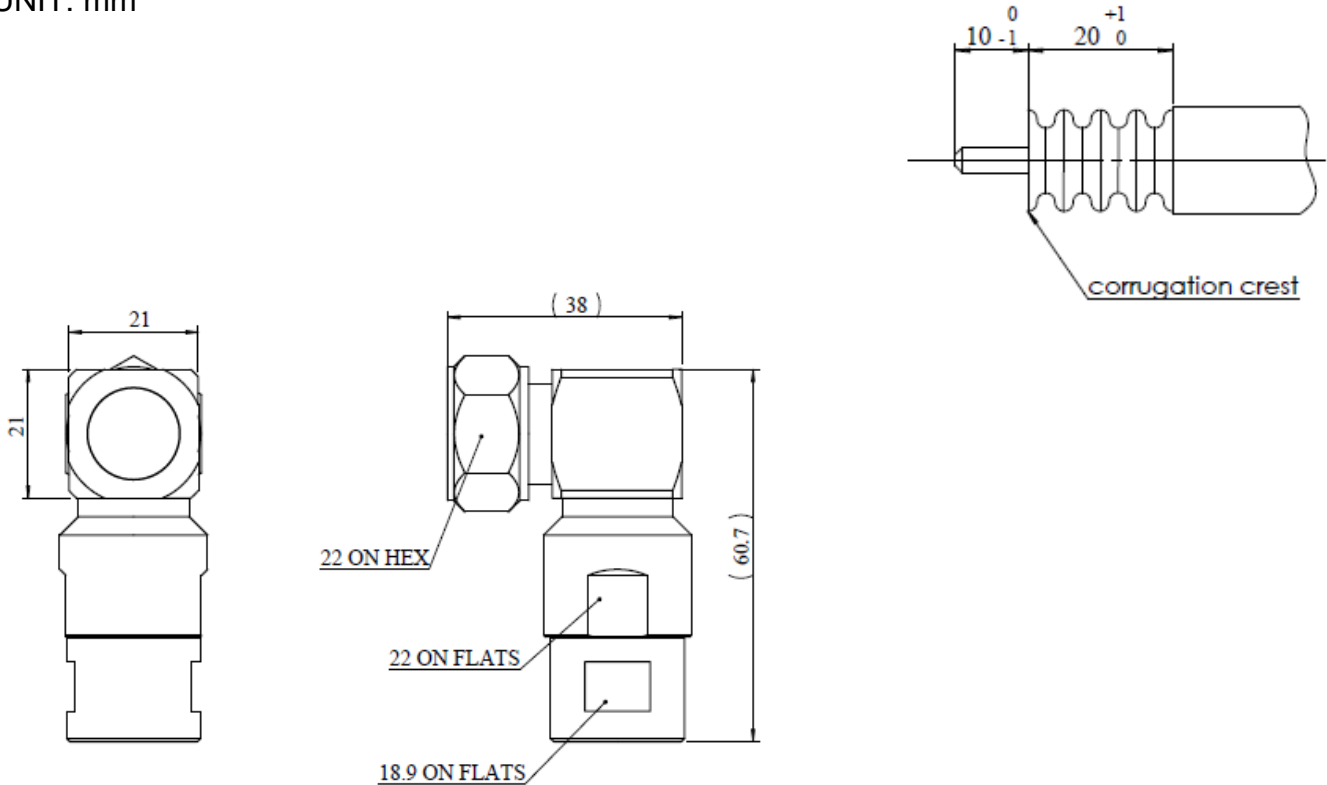
Specification

Amphenol

Changzhou Amphenol Fuyang Communication Equipment Co. Ltd.

Product Description	4.1/9.5 Male Angle Connector for 1/2" Normal Cable	Date: 2019-2-27
Part NO.	AFC39-1	Ver. 1

UNIT: mm



Reference Standard

IEC61169-11

Electrical Performance

Nominal Impedance (Ω)	50
Frequency Range	DC~6GHz
VSWR	≤ 1.12 (0-3GHZ) ≤ 1.25 (3-6GHZ)
VSWR(DTF)	≤ 1.06 (0-3GHZ) ≤ 1.12 (3-6GHZ)
PIM (dBc)	≤ -160 (2*43dBm)
Insertion Loss	$\leq 0.1\sqrt{F}$ (GHz)
Insulation Resistance(M Ω /500VDC)	≥ 5000
Proof Voltage (V/AC)	≥ 2500
Contact Resistance (m Ω)	< 1 (Inner Conductor) < 0.5 (Outer Conductor)

Mechanical Performance

Interface Durability	500 Cycles
Mating Cycles	500
Nut Torque	10 N.m
(Nut) Whorl Pull	500N
Tensile Force (Cable-Connector)	500 N
Torsion (Cable-Connector)	5 N.m
Weight	165.03g

Material and Plating

Connector Parts	Material	Plating
Inner Conductor	Spring Copper	Ag 5μm
Outer Conductor	Brass	Copper-tin-zinc 2μm
Nut	Brass	Ni 5μm
Insulator	PTFE	

Environment

Temperature Range	-40°C~ +85°C
Weather Standard	IEC60068 40/ 085/ 21
Thermal Shock	IEC60068-2-14-Na
Vibration	IEC60068-2-6-Fc
Shock	IEC60068-2-27
Waterproofing Standard	IP68
RoHS	Compliant(EU and China)

Assembly

Inner and outer conductor Installing type.	
Cable Supported	Cable Type Supported
Andrew	LDF4-50,LDF4RK-50,LDF4RN-50
RFS	LCF12-50
NK Draka	RF1/2"-50
Eupen	EC4-50
Amphenol	AFY-50-12R

NOTE: The technical specification contains proprietary information and such information may not be disclosed to others for any particular purpose or used for manufacturing purposes without written permission from Amphenol Fuyang.