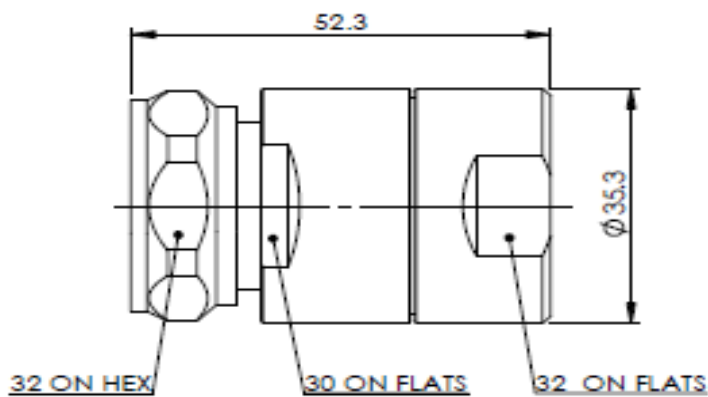
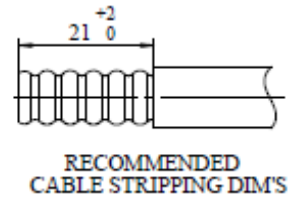


Specification

Product Description	7/16 Male Connector for 7/8" Cable	Date: 2019-4-19
Part NO.	AFB191-10	Ver. 1

UNIT: mm



Reference Standard

IEC60169-4

Electrical Performance

Nominal Impedance (Ω)	50
Frequency Range	DC~6GHz
VSWR	≤1.10(0-3GHZ) ≤1.20(3-6GHZ)
VSWR(DTF)	≤1.05(0-3GHZ) ≤1.10(3-6GHZ)
PIM (dBc)	≤-160(2*43dBm)
Insertion Loss	≤0.05√F(GHz)
Insulation Resistance(MΩ/500VDC)	≥10000
Proof Voltage (V/AC)	≥3000
Contact Resistance (mΩ)	<0.8 (Inner Conductor) <0.2 (Outer Conductor)

Mechanical Performance

Interface Durability	500 Cycles
Nut Torque	25N.m
(Nut) Whorl Pull	1000N
Tensile Force (Cable-Connector)	500 N
Torsion (Cable-Connector)	5N.m
Weight	170.40g

Material and Plating

Connector Parts	Material	Plating
Inner Conductor	Spring Copper	Ag5μm
Outer Conductor	Brass	Copper-tin-zinc 2μm
Nut	Brass	Ni 5μm
Insulator	TPX	

Environment

Temperature Range	-40°C~ +85°C
Weather Standard	IEC60068 40/ 085/ 21
Thermal Shock	IEC60068-2-14-Na
Vibration	IEC60068-2-6-Fc
Shock	IEC60068-2-27
Waterproofing Standard	IP68
RoHS	Compliant(EU and China)

Assembly

Inner and outer conductor Installing type.	
Cable Supported	Cable Type Supported
Andrew	AVA5-50,AVA5RK-50,AL5-50,LDF5-50
RFS	LCF78-50JA,UCF78-50A
Eupen	EC5-50A, EC5-50HF
Amphenol	AFY-50-78RLL
Draka	RF7/8"-50
Eupen	EC5-50A

NOTE: The technical specification contains proprietary information and such information may not be disclosed to others for any particular purpose or used for manufacturing purposes without written permission from Amphenol Fuyang.