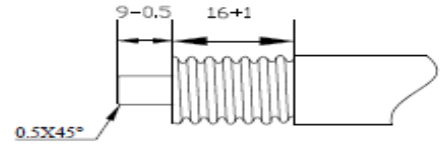


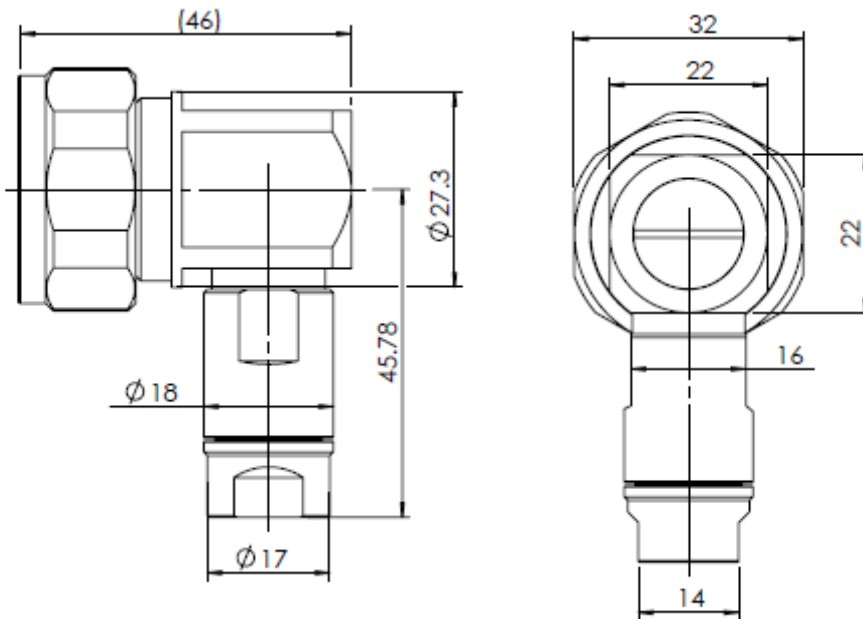
Specification

Product Description	7/16 Male Angle Connector for 1/4" Superflexible Cable	Date: 2019-4-17
Part NO.	AFB105-7	Ver.1

UNIT: mm



RECOMMENDED
CABLE STRIPPEING DIM'S



Reference Standard

IEC60169-4

Electrical Performance

Nominal Impedance (Ω)	50
Frequency Range	DC~6GHz
VSWR	≤1.12(0-3GHZ) ≤1.25(3-6GHZ)
VSWR(DTF)	≤1.05(0-3GHZ) ≤1.10(3-6GHZ)
PIM (dBc)	≤-160(2*43dBm)
Insertion Loss	≤0.05√F(GHz)
Insulation Resistance(MΩ/500VDC)	≥10000
Proof Voltage (V/AC)	≥1500
Contact Resistance (mΩ)	<0.8 (Inner Conductor) <0.2 (Outer Conductor)

Mechanical Performance

Interface Durability	500 Cycles
Nut Torque	25N.m
(Nut) Whorl Pull	1000N
Tensile Force (Cable-Connector)	250 N
Torsion (Cable-Connector)	1.5 N.m
Weight	217.31g

Material and Plating

Connector Parts	Material	Plating
Inner Conductor	Spring Copper	Ag 5μm
Outer Conductor	Brass	Copper-tin-zinc 2μm
Clamp	Brass	Ni 5μm
Nut	Brass	Ni 5μm
Insulator	PTFE	
Gasket	Silicone Rubber	

Environment

Temperature Range	-40°C~ +85°C
Weather Standard	IEC60068 40/ 085/ 21
Thermal Shock	IEC60068-2-14-Na
Vibration	IEC60068-2-6-Fc
Shock	IEC60068-2-27
Waterproofing Standard	IP68
RoHS	Compliant(EU and China)

Assembly

Inner conductor Installed and outer conductor crimped.

Cable Supported	Cable Type Supported
Andrew	FSJ1-50A, FSJ1RK-50B, PTS1-50-P
RFS	SCF14-50J,SCF14-50JFN
Eupen	EC1-50-HF
Times	SPO-250
Amphenol	AFY-50-14S
Draka	RFF1/4"-50

NOTE: The technical specification contains proprietary information and such information may not be disclosed to others for any particular purpose or used for manufacturing purposes without written permission from Amphenol Fuyang.