

Specification

Amphenol

Changzhou Amphenol Fuyang Communication Equipment Co. Ltd.

Product Description

N Male Angle Connector for 1/2" Normal Cable

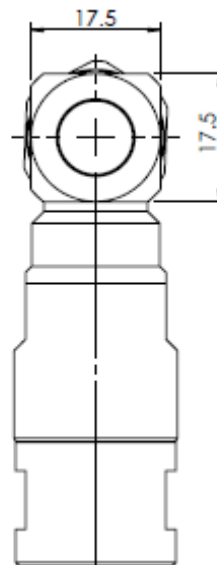
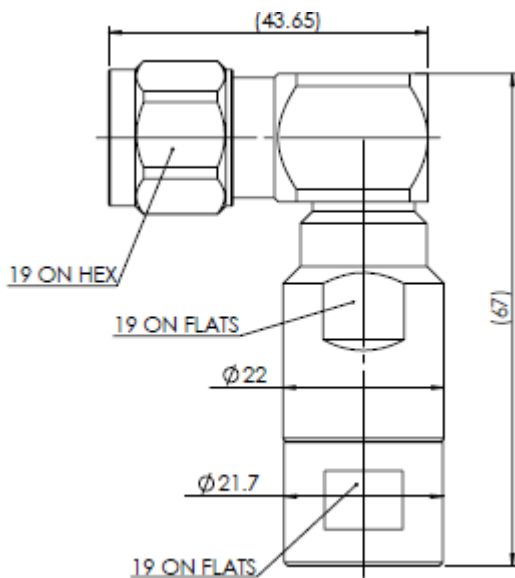
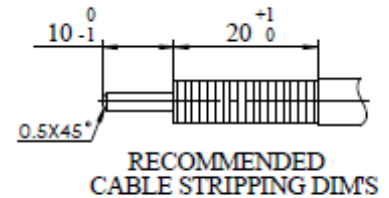
Date: 2019-4-19

Part NO.

AFA43-6

Ver. 1

UNIT: mm



Reference Standard

IEC60169-16

Electrical Performance

Nominal Impedance (Ω)	50
Frequency Range	DC~6GHz
VSWR	≤ 1.12 (0-3GHZ) ≤ 1.25 (3-6GHZ)
VSWR(DTF)	≤ 1.06 (0-3GHZ) ≤ 1.12 (3-6GHZ)
PIM (dBc)	≤ -160 (2*43dBm)
Insertion Loss	$\leq 0.05\sqrt{F}$ (GHz)
Insulation Resistance(M Ω /500VDC)	≥ 5000
Proof Voltage (V/AC)	≥ 2500
Contact Resistance (m Ω)	< 0.8 (Inner Conductor) < 0.4 (Outer Conductor)

Mechanical Performance

Interface Durability	500 Cycles
Nut Torque	3N.m
(Nut) Whorl Pull	500N
Tensile Force (Cable-Connector)	500 N
Torsion (Cable-Connector)	5N.m
Weight	133.77g

Material and Plating

Connector Parts	Material	Plating
Inner Conductor	Spring Copper	Ag 5 μ m
Outer Conductor	Brass	Copper-tin-zinc 2 μ m
Nut	Brass	Ni 5 μ m
Insulator	PTFE	
Gasket	Silicone Rubber	

Environment

Temperature Range	-40 $^{\circ}$ C~ +85 $^{\circ}$ C
Weather Standard	IEC60068 40/ 085/ 21
Thermal Shock	IEC60068-2-14-Na
Vibration	IEC60068-2-6-Fc
Shock	IEC60068-2-27
Waterproofing Standard	IP68
RoHS	Compliant(EU and China)

Assembly

Inner and outer conductor Installing type.

Cable Supported	Cable Type Supported
Andrew	LDF4-50,LDF4RK-50,LDF4RN-50
RFS	LCF12-50
NK Draka	RF1/2"-50
Eupen	EC4-50
Amphenol	AFY-50-12R

NOTE: The technical specification contains proprietary information and such information may not be disclosed to others for any particular purpose or used for manufacturing purposes without written permission from Amphenol Fuyang.

