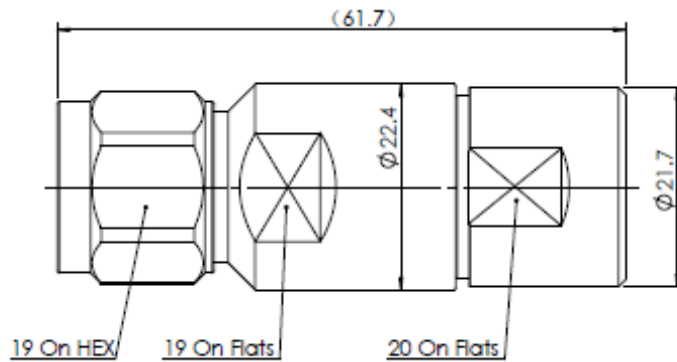
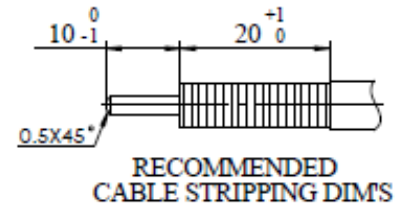


**Specification**

Product Description	N Male Connector for 1/2" Normal Cable	Date: 2019-4-19
Part NO.	AFA07-11	Ver. 1

UNIT: mm



**Reference Standard**

**IEC60169-16**

**Electrical Performance**

Nominal Impedance (Ω)	50
Frequency Range	DC~6GHz
VSWR	≤1.10(0-3GHZ) ≤1.20(3-6GHZ)
VSWR(DTF)	≤1.05(0-3GHZ) ≤1.10(3-6GHZ)
PIM (dBc)	≤-160(2*43dBm)
Insertion Loss	≤0.05√F(GHz)
Insulation Resistance(MΩ/500VDC)	≥5000
Proof Voltage (V/AC)	≥2500
Contact Resistance (mΩ)	<0.8 (Inner Conductor) <0.4 (Outer Conductor)

## Mechanical Performance

Interface Durability	500 Cycles
Nut Torque	3N.m
(Nut) Whorl Pull	500N
Tensile Force (Cable-Connector)	500 N
Torsion (Cable-Connector)	5N.m
Weight	93.53g

## Material and Plating

Connector Parts	Material	Plating
Inner Conductor	Spring Copper	Ag 5μm
Outer Conductor	Brass	Copper-tin-zinc2μm
Nut	Brass	Ni 5μm
Insulator	PTFE	
Gasket	Silicone Rubber	

## Environment

Temperature Range	-40°C~ +85°C
Weather Standard	IEC60068 40/ 085/ 21
Thermal Shock	IEC60068-2-14-Na
Vibration	IEC60068-2-6-Fc
Shock	IEC60068-2-27
Waterproofing Standard	IP68
RoHS	Compliant(EU and China)

## Assembly

Inner and outer conductor Installing type.

Cable Supported	Cable Type Supported
Andrew	LDF4-50,LDF4RK-50,LDF4RN-50
RFS	LCF12-50
NK Draka	RF1/2"-50
Eupen	EC4-50
Amphenol	AFY-50-12R

NOTE: The technical specification contains proprietary information and such information may not be disclosed to others for any particular purpose or used for manufacturing purposes without written permission from Amphenol Fuyang.