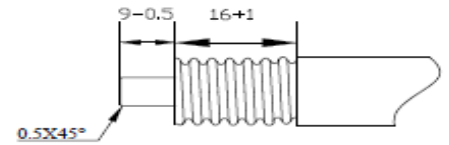


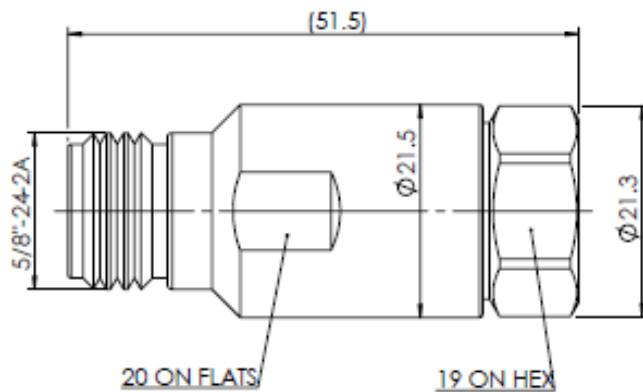
Specification

Product Description	N Female Connector for 1/2" Superflexible Cable	Date: 2019-4-19
Part NO.	AFA02-5	Ver. 1

UNIT: mm



RECOMMENDED
CABLE STRIPPEING DIM'S



Reference Standard

IEC60169-16

Electrical Performance

Nominal Impedance (Ω)	50
Frequency Range	DC~6GHz
VSWR	≤ 1.1 (0-3GHZ) ≤ 1.2 (3-6GHZ)
VSWR(DTF)	≤ 1.05 (0-3GHZ) ≤ 1.1 (3-6GHZ)
PIM (dBc)	≤ -160 (2*43dBm)
Insertion Loss	$\leq 0.05\sqrt{F}$ (GHz)
Insulation Resistance(M Ω /500VDC)	≥ 5000
Proof Voltage (V/AC)	≥ 2500
Contact Resistance (m Ω)	< 0.8 (Inner Conductor) < 0.4 (Outer Conductor)

Mechanical Performance

Interface Durability	500 Cycles
Mating Cycles	500
Retention Force	≥0.56N
Tensile Force (Cable-Connector)	400 N
Torsion (Cable-Connector)	4 N.m
Weight	82.94g

Material and Plating

Connector Parts	Material	Plating
Inner Conductor	Spring Copper	Ag 5μm
Outer Conductor	Brass	Copper-tin-zinc 2μm
Nut	Brass	Ni 5μm
Insulator	TPX	
Gasket	Silicone rubber	

Environment

Temperature Range	-40°C~ +85°C
Weather Standard	IEC60068 40/ 085/ 21
Thermal Shock	IEC60068-2-14-Na
Vibration	IEC60068-2-6-Fc
Shock	IEC60068-2-27
Waterproofing Standard	IP68
RoHS	Compliant(EU and China)

Assembly

Inner and outer conductor Installing type.	
Cable Supported	Cable Type Supported
Andrew	FSJ4-50, FSJ4RK-50
RFS	SCF12-50
NK Draka	RFF1/2"-50
Amphenol	AFY-50-12S
Eupen	EC4-50-HF

NOTE: The technical specification contains proprietary information and such information may not be disclosed to others for any particular purpose or used for manufacturing purposes without written permission from Amphenol Fuyang.