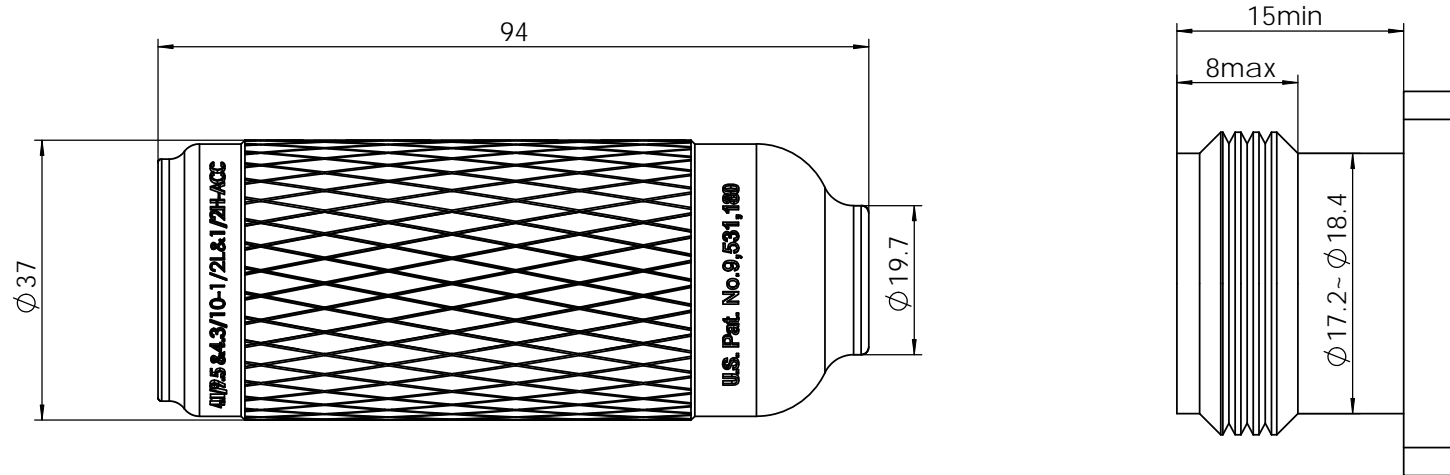


REVISIONS		
REV	DESCRIPTION	DATE
0	FIRST RELEASE	2019.3.7



1. UV resistant (1120W/960 h)
2. Life: 10 years
3. Working temperature: $-55^{\circ}\text{C} \sim +155^{\circ}\text{C}$
4. Acid alkali resistant
5. Waterproofing standard IP68

DRAWN		TITLE		Amphenol AMPHENOL FUYANG CO.,LTD CHANGZHOU, CHINA			
CHECKED		4.1/9.5&4.3/10-1/2"L&1/2"H-ACC WPS BOOT					DRAWING NO.
APPROVED		SHEET	SCALE	METRIC	PART NO.		
		1/1	1.5/1	mm	AF2040567		
					AFS-2040567	0	0