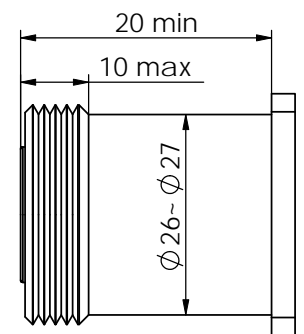
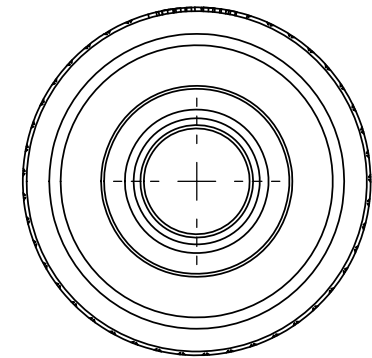
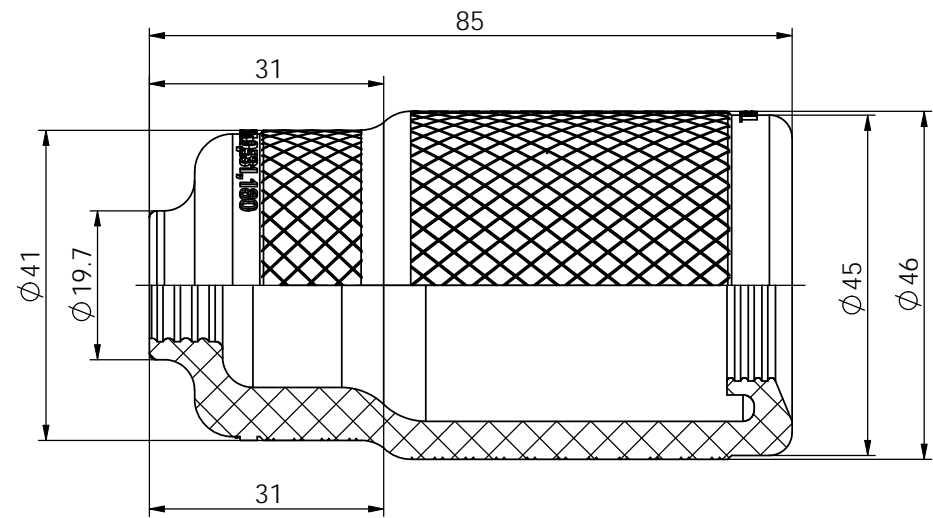


REVISIONS

| REV | DESCRIPTION | DATE |
|-----|--------------------------|----------|
| 1 | ADD CHARACTERS | 2014-4-1 |
| 2 | CHANGE ENGRAVING CONTENT | 2017-6-8 |



1. UV resistant (1120W/960 h)
2. Life: 10 years
3. Working temperature: -55 °C~+155 °C
4. Acid alkali resistant
5. Waterproofing standard IP68

| | | | | | | | |
|----------|--|---------------------|-------|---|-------------|-------------|-----|
| DRAWN | | TITLE | | Amphenol AMPHENOL FUYANG CO.,LTD CHANGZHOU, CHINA | | | |
| CHECKED | | 7/16-1/2"L WPS Boot | | | | DRAWING NO. | VER |
| APPROVED | | SHEET | SCALE | METRIC | PART NO. | | |
| | | 1/1 | 1/1 | mm | AF2040451 | 1 | 2 |
| | | | | | AFS-2040451 | | |