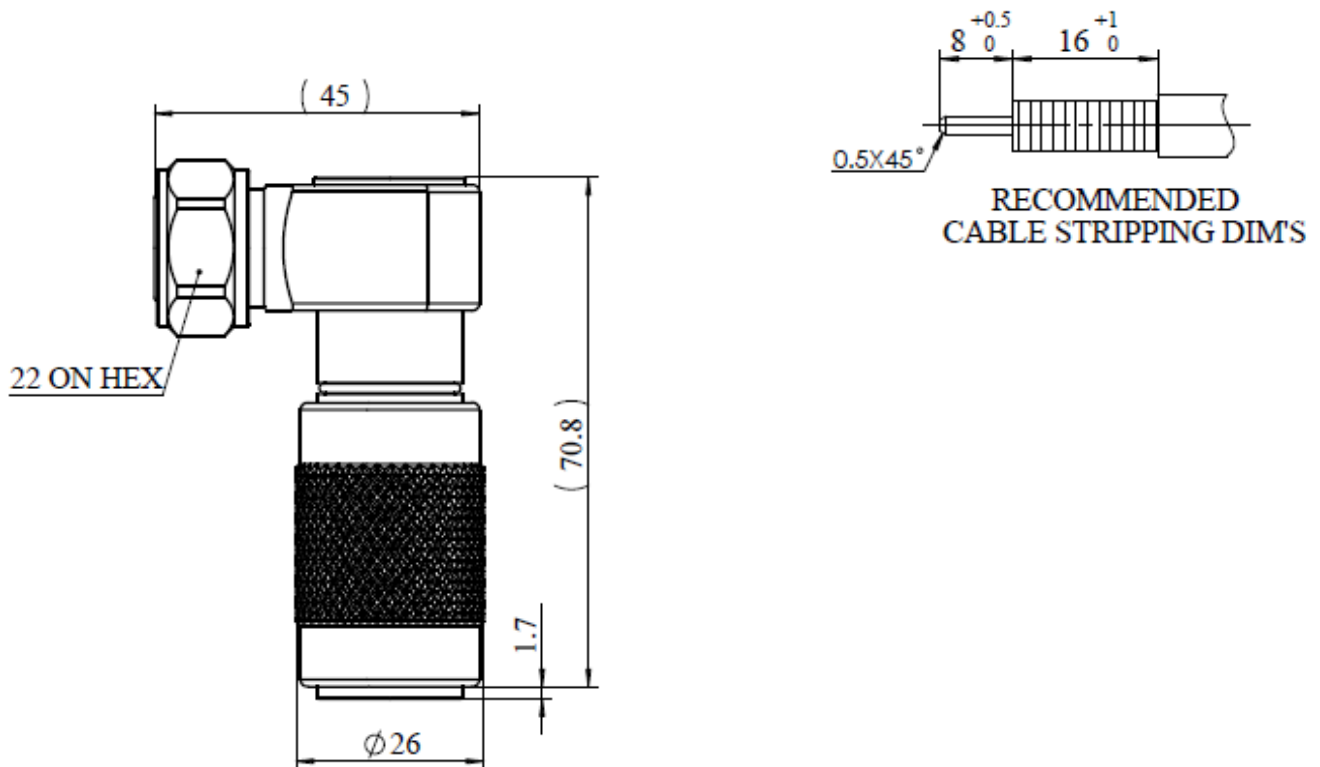


Specification

Product Description	4.3/10 Screw Male Right Angle Compression Connector for 1/2" Normal or Air Plenum Cable	Date: 2019.01.31
Part NO.	AFDF125-1	Ver. 1

UNIT: mm



Reference Standard

IEC61169-54

Electrical Performance

Nominal Impedance (Ω)	50
Frequency Range	DC~6GHz
VSWR	≤1.12(0-3GHZ) ≤1.25(3-6GHZ)
VSWR(DTF)	≤1.06(0-3GHZ) ≤1.12(3-6GHZ)
PIM (dBc)	≤-160(2*43dBm)
Insertion Loss	≤0.1 √ F(GHz)
Insulation Resistance(MΩ/500VDC)	≥5000
Proof Voltage (V/AC)	≥2500
Contact Resistance (mΩ)	< 1.0 (Inner Conductor) < 1.0 (outer Conductor)

Mechanical Performance

Nut Torque	5 N.m
(Nut) Whorl Pull	500 N
Tensile Force (Cable-Connector)	500 N
Torsion (Cable-Connector)	5N.m
Weight	231.41g

Material and Plating

Connector Parts	Material	Plating
Inner Conductor	Brass /Spring Copper	Ag 5μm
Outer Conductor	Brass	Copper-tin-zinc2μm
Nut	Brass	
Insulator	PTFE/TPX	
O-Ring	Silicone Rubber	

Environment

Temperature Range	-40°C~+85°C
Weather Standard	IEC60068 40/ 085/ 21
Thermal Shock	IEC60068-2-14-Na
Vibration	IEC60068-2-6-Fc
Shock	IEC60068-2-27
Waterproofing Standard	IP68
RoHS	Compliant(EU and China)

Assembly

Inner conductor Installed and outer conductor Compressed.	
Cable Supported	Cable Type Supported
Amphenol	AFY-50-12R/S
Andrew	LDF4-50A
Draka	RF1/2"-50
Eupen	EC4-50
RFS	LCF12-50J
Andrew	HL4RP-50A(Plenum)
RFS	ICA12-50JPLW(Plenum)

NOTE: The technical specification contains proprietary information and such information may not be disclosed to others for any particular purpose or used for manufacturing purposes without written permission from Amphenol Fuyang.