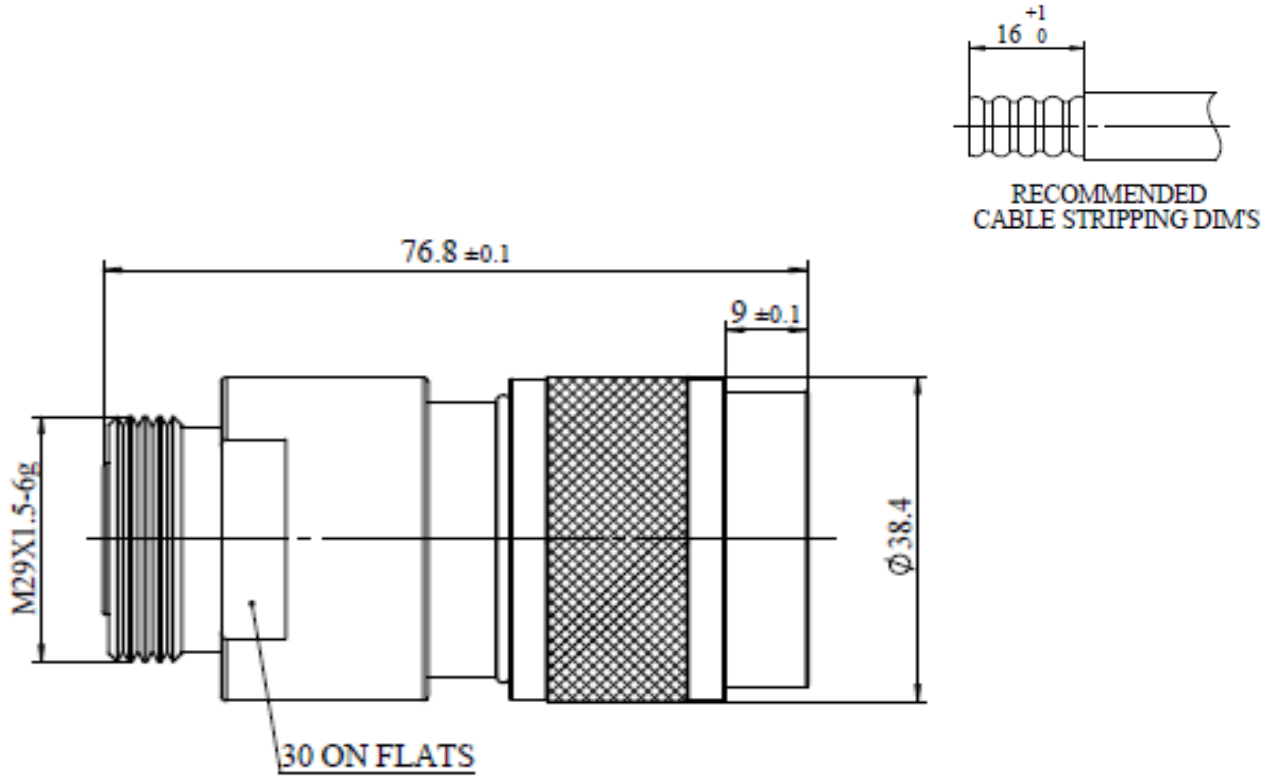


Specification

Product Description	7/16 Female Compression Connector for 7/8" Normal Cable	Date: 2018.10.11
Part NO.	AFB772-1	Ver. 2

UNIT: mm



Reference Standard

IEC61169-4

Electrical Performance

Nominal Impedance (Ω)	50
Frequency Range	DC~6GHz
VSWR	≤1.10(0-3GHZ) ≤1.20(3-6GHZ)
VSWR(DTF)	≤1.05(0-3GHZ) ≤1.10(3-6GHZ)
PIM (dBc)	≤-160(2*43dBm)
Insertion Loss	≤0.05 √ F(GHz)
Insulation Resistance(MΩ /500VDC)	≥10000
Proof Voltage (V/AC)	≥3000
Contact Resistance (mΩ)	<0.8 (Inner Conductor) <0.2 (outer Conductor)

Mechanical Performance

Interface Durability	500 Cycles
Retention	≥5.88N
Mating Cycles	500
Tensile Force (Cable-Connector)	500 N
Torsion (Cable-Connector)	5 N.m
Weight	274.43g

Material and Plating

Connector Parts	Material	Plating
Inner Conductor	Spring Copper	Ag 5μm
Outer Conductor	Brass	Copper-tin-zinc 2μm
Insulator	TPX	
Gasket	Silicone Rubber	

Environment

Temperature Range	-40°C~+85°C
Weather Standard	IEC60068 40/ 085/ 21
Thermal Shock	IEC60068-2-14-Na
Vibration	IEC60068-2-6-Fc
Shock	IEC60068-2-27
Waterproofing Standard	IP68
RoHS	Compliant(EU and China)

Assembly

Inner conductor Installed and outer conductor Compressed.

Cable Supported	Cable Type Supported
Amphenol	AFY-50-78RLL
Draka	RF7/8"-50
Eupen	EC5-50A
Andrew	LDF5-50A
RFS	LCF78-50JA

NOTE: The technical specification contains proprietary information and such information may not be disclosed to others for any particular purpose or used for manufacturing purposes without written permission from Amphenol Fuyang.