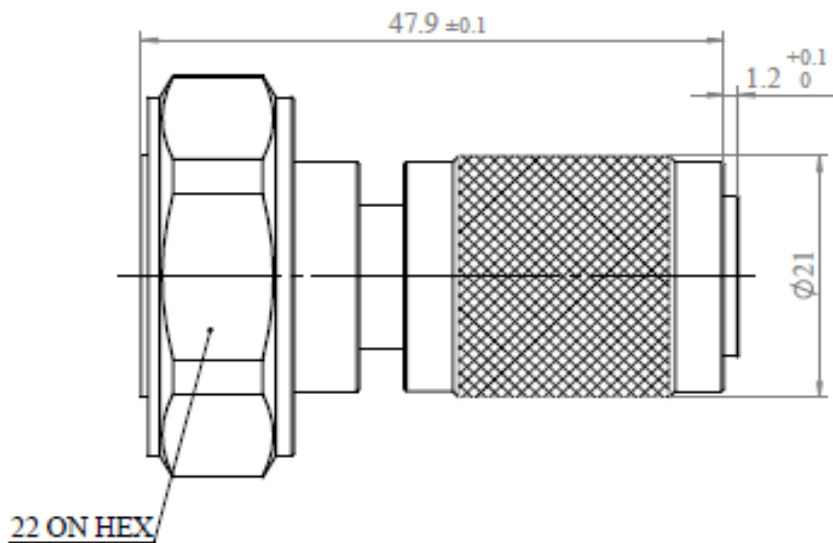
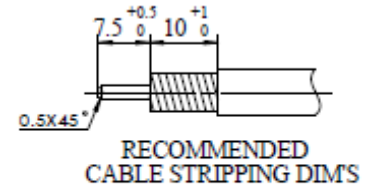


Specification

Product Description	7/16 Male Compression Connector for 1/4" Superflexible Cable	Date: 2018.10.12
Part NO.	AFB283-1	Ver. 1

UNIT: mm



Reference Standard

IEC61169-4

Electrical Performance

Nominal Impedance (Ω)	50
Frequency Range	DC~6GHz
VSWR	≤1.10(0-3GHZ) ≤1.20(3-6GHZ)
VSWR(DTF)	≤1.05(0-3GHZ) ≤1.10(3-6GHZ)
PIM (dBc)	≤-160(2*43dBm)
Insertion Loss	≤0.05 √ F(GHz)
Insulation Resistance(MΩ/500VDC)	≥10000
Proof Voltage (V/AC)	≥1500
Contact Resistance (mΩ)	<0.8 (Inner Conductor) <0.2 (Outer Conductor)

Mechanical Performance

Interface Durability	500 Cycles
Nut Torque	25 N.m
(Nut) Whorl Pull	1000 N
Tensile Force (Cable-Connector)	250 N
Torsion (Cable-Connector)	1.5 N.m
Weight	116.99g

Material and Plating

Connector Parts	Material	Plating
Inner Conductor	Beryllium Bronze	Ag 5μm
Outer Conductor	Brass	Copper-tin-zinc 2μm
Nut	Brass	Ni5μm
Insulator	TPX	
Gasket	Silicone Rubber	

Environment

Temperature Range	-40°C~+85°C
Weather Standard	IEC60068 40/ 085/ 21
Thermal Shock	IEC60068-2-14-Na
Vibration	IEC60068-2-6-Fc
Shock	IEC60068-2-27
Waterproofing Standard	IP68
RoHS	Compliant(EU and China)

Assembly

Inner conductor Installed and outer conductor Compressed.

Cable Supported	Cable Type Supported
Amphenol	AFY-50-14S
Andrew	FSJ1-50A
Draka	RFF1/4"-50
Eupen	EC1-50-HF
RFS	SCF14-50

NOTE: The technical specification contains proprietary information and such information may not be disclosed to others for any particular purpose or used for manufacturing purposes without written permission from Amphenol Fuyang.