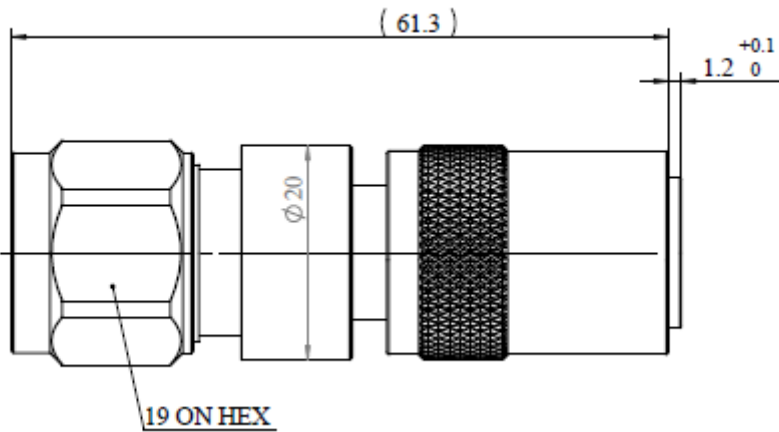
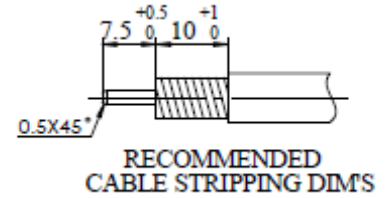


Specification

Product Description	N Male Compression Connector for 1/4" Superflexible Cable	Date: 2019-1-31
Part NO.	AFA349-1	Ver. 0

UNIT: mm



Reference Standard

IEC61169-16

Electrical Performance

Nominal Impedance (Ω)	50
Frequency Range	DC~6GHz
VSWR	≤ 1.10 (0-3GHZ) ≤ 1.20 (3-6GHZ)
VSWR(DTF)	≤ 1.06 (0-3GHZ) ≤ 1.12 (3-6GHZ)
PIM (dBc)	≤ -160 (2*43dBm)
Insertion Loss	$\leq 0.05\sqrt{F}$ (GHz)
Insulation Resistance(M Ω /500VDC)	≥ 5000
Proof Voltage (V/AC)	≥ 1000
Contact Resistance (m Ω)	< 0.8 (Inner Conductor) < 0.4 (Outer Conductor)

Mechanical Performance

Interface Durability	500 Cycles
Nut Torque	5N.m
(Nut) Whorl Pull	500 N
Tensile Force (Cable-Connector)	250 N
Torsion (Cable-Connector)	1.5 N.m
Weight	107.79g

Material and Plating

Connector Parts	Material	Plating
Inner Conductor	Beryllium Bronze	Ag 5μm
Outer Conductor	Brass	Copper-tin-zinc 2μm
Nut	Brass	Ni5μm
Insulator	TPX	
Gasket	Silicone Rubber	

Environment

Temperature Range	-40°C~+85°C
Weather Standard	IEC60068 40/ 085/ 21
Thermal Shock	IEC60068-2-14-Na
Vibration	IEC60068-2-6-Fc
Shock	IEC60068-2-27
Waterproofing Standard	IP67
RoHS	Compliant(EU and China)

Assembly

Inner conductor Installed and outer conductor Compressed.

Cable Supported	Cable Type Supported
Amphenol	AFY-50-14S
Andrew	FSJ1-50A
Draka	RFF1/4"-50
Eupen	EC1-50-HF
RFS	SCF14-50

NOTE: The technical specification contains proprietary information and such information may not be disclosed to others for any particular purpose or used for manufacturing purposes without written permission from Amphenol Fuyang.